



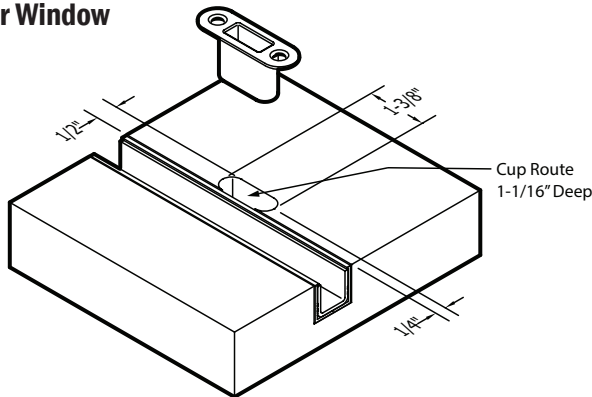
Flush Bolt Cup Location

FOLD-AWAY PATIO DOORS & WINDOWS

Tools & Materials Required: Router, $\frac{1}{2}$ " router bit and silicone

1. With the door or window in the closed position, turn the handle to engage the flushbolt until it stops on the sill. Mark these positions and route recesses for flushbolt cup as shown in the illustrations.
2. Ensure that the flushbolt cup fits into the route and that the flushbolt works when engaged. Caulk around and in the hole before securing the flushbolt cup to the sill with screws.

1-3/4" Door Panels or Window



2-1/4" Door Panels

