



Surround Grille Installation

LINCOLN WOOD PRODUCTS, INC.

GRILLE INSTALLATION

1. The metal grille clips should be inserted at the appropriate locations as shown in the diagrams below.
2. Using the supplied Wood Bar, with metal grille clip attached, place on glass and slide into wood stop.

NOTE: Do not use screwdrivers, pliers, etc. to install clips. The glass could be easily chipped and cracked.

3. When all clips are in place, push the Surround Grille against one side of the sash and "hinge" the grille against the glass.

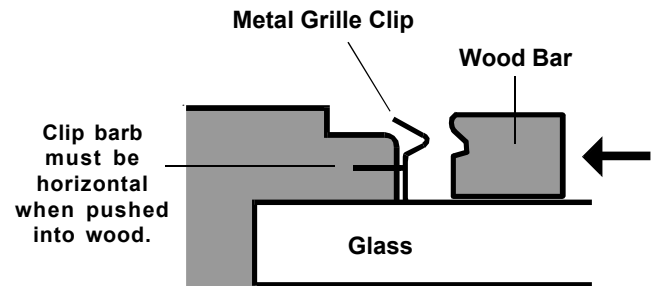


Diagram A - Side View

GRILLE REMOVAL

1. To remove grille, push grille against one side of sash and "hinge" opposite grille side out.

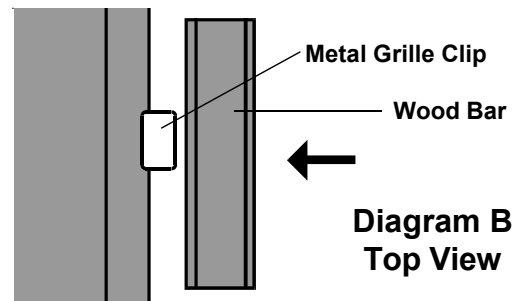
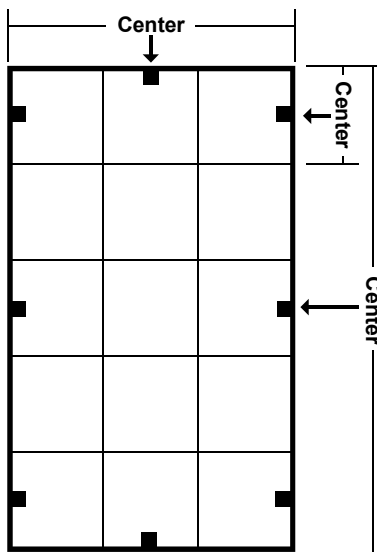
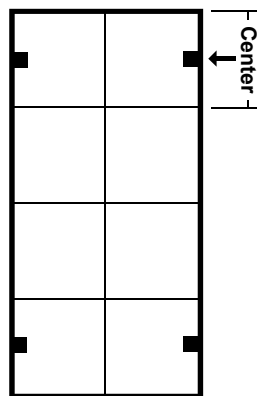


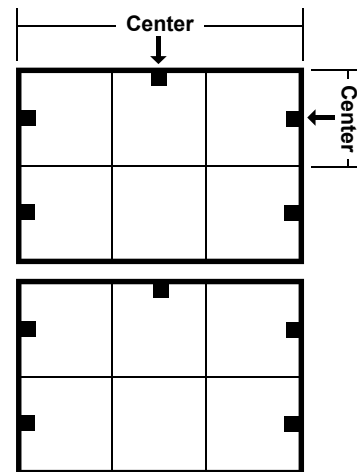
Diagram B Top View



Patio Door



Casement



DH & Glider

■ Indicates the approximate locations for metal grille clips.

If you have a Double Hung or Glider, you will need to remove the small metal glazing bead protector by the lock. Using a small flat screwdriver, carefully pry the protector up and off the glazing bead. If not removed, the grille will not fit properly in the sash.

