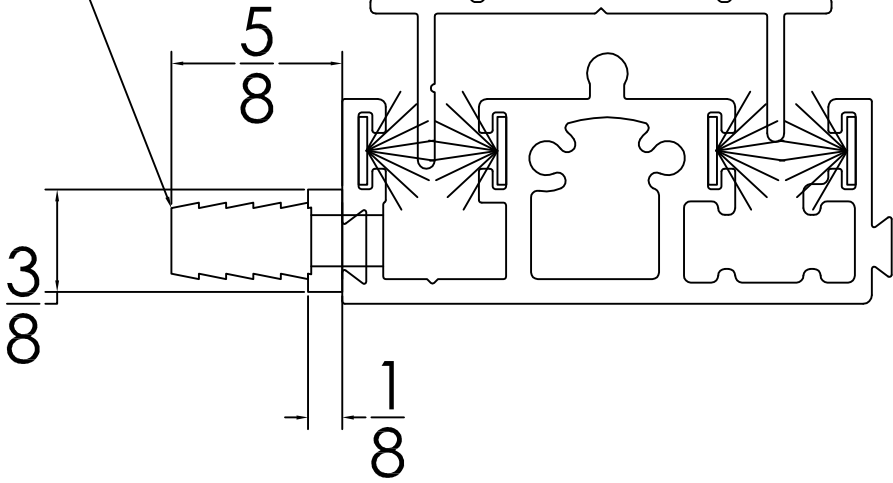


# Multi-Slide

Weep tubes  
installed in field  
approx. 24" on center



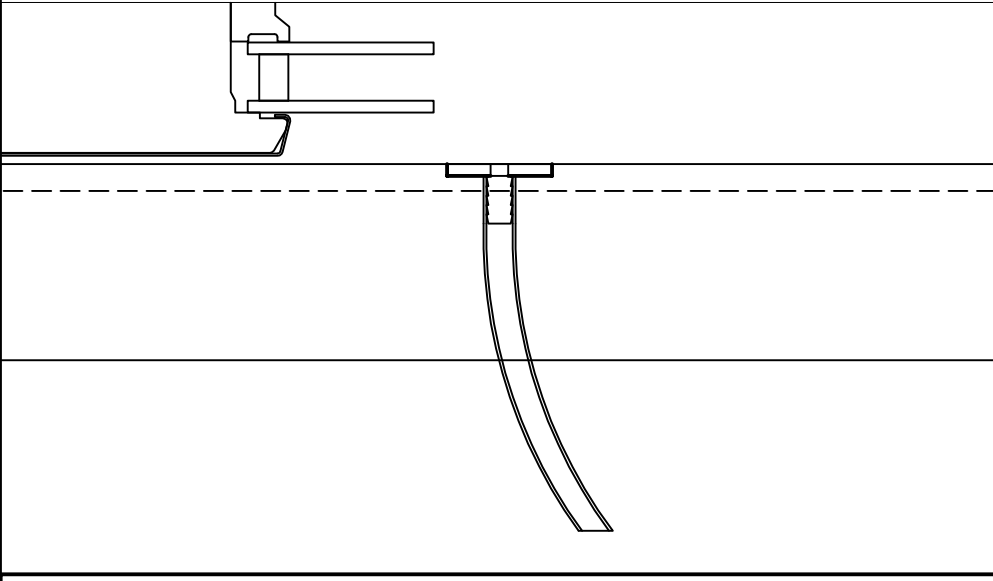
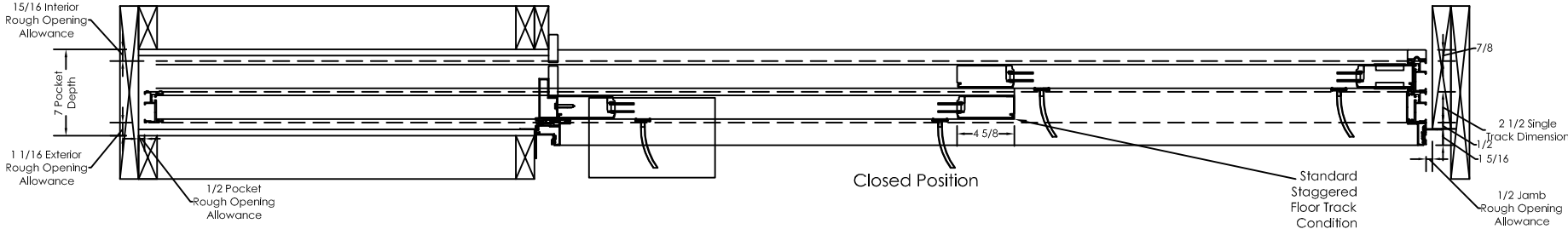
Date:
Customer:
Project Reference:

Est#:
Product Code: MSS03
Configuration: XXO

Submittal 1	Date:
Submittal 2	Date:
Submittal 3	Date:
Submittal 4	Date:

Cross Section

# Multi-Slide



Date:
Customer:
Project Reference:

Est#:
Product Code: MSS03
Configuration: XXO

Submittal 1	Date:
Submittal 2	Date:
Submittal 3	Date:
Submittal 4	Date:

Plan View