

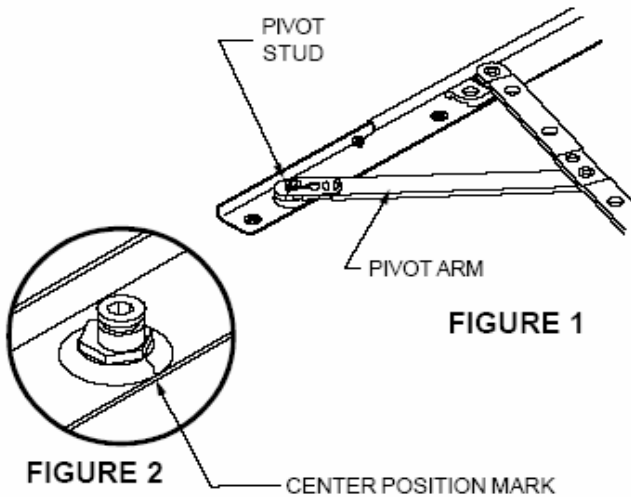


Concealed Hinge Adjustment Instructions

CASEMENT WINDOWS - MADE 8/9/2000 TO PRESENT

Sash sag can easily be corrected in the field if the position of the sash can be adjusted. The hinge is shipped from the factory with the special adjustable pivot stud in a centered position. The center position is identified on the top of the pivot stud with a mark that is perpendicular to the track (See figure 2).

Both top and bottom hinges are adjustable in both directions without loosening or moving the hinge track. The sash can be adjusted a full 5/64" in either direction from the center.

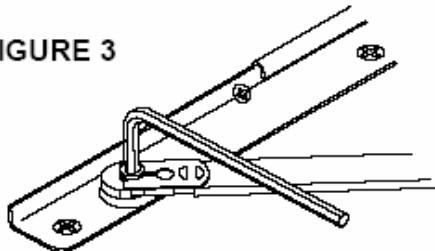


ADJUSTMENT PROCEDURE

- 1) Open the window completely. Fully insert a 7/64" Allen wrench into the socket in the pivot stud (Figure 3). Rotating the wrench toward the lock side of the window will lift the lock side of the sash.

The maximum adjustment is achieved when the pivot stud is rotated 70° from the center position (Figure 4). Do not turn the pivot stud more than 70° or the pivot arm may contact the hinge track, preventing the sash from closing tight.

FIGURE 3



ADJUSTMENT PROCEDURE - CONTINUED

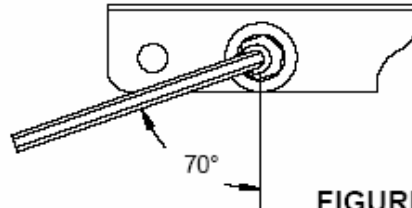


FIGURE 4

Note: The adjustment may also be made by removing the pivot arm and using a 3/8" socket, box, or open end wrench.

- 2) It is recommended that half of the adjustment be made on the bottom hinge, as described above, and the other half of the adjustment to the top hinge by rotating the top pivot stud in the opposite direction, toward the hinge side of the window.

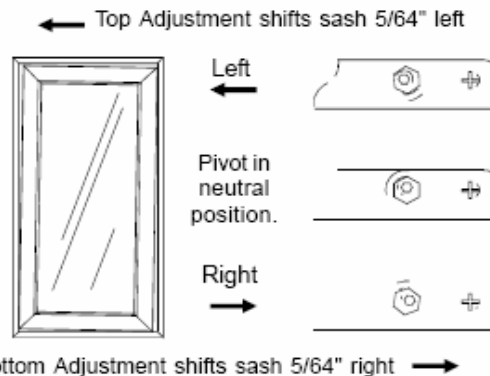


FIGURE 5

Remember: The pivot stud is brass so it is important to use wrenches in good condition and to fully insert the Allen wrench or fully engage other wrenches to prevent stripping of the pivot stud socket or hex.