



Flanged Window Installation

LINCOLN WOOD PRODUCTS, INC.

These installation instructions are to be used when installing the following Lincoln Windows: Aluminum Clad Casements, Awnings, Double Hungs, Gliders, Rectangular Direct Sets and Rectangular Sash Sets W-V Series Casements, Awnings, Double Hungs and Rectangular Direct Sets

This instruction provides the minimum recommended procedures to correctly prepare the rough opening, install a flanged window unit and apply flashing within a residential or light commercial structure that has the weather resistant barrier applied. Local climate may dictate additional flashing at the discretion of the installer. These instructions are minimal recommendations only and do not supercede local building codes

Proper installation and maintenance of Lincoln windows is essential to proper window performance. Failure to follow these installation and flashing guidelines may void Lincoln's Limited Warranty. Lincoln recommends installation of its product by experienced contractor personnel. If you have questions regarding window installation, contact your Lincoln dealer, an experienced contractor or contact Lincoln at (800) 967-2461.

Preparing the Rough Opening (R.O.)

CLEARANCE: Lincoln Wood Products Inc. published rough openings allow for a 1/4" of clearance on all sides of the unit for insulation purposes. Use of 1/4" shims on a level sill to provide proper spacing is recommended prior to setting any unit.

MEASURING FOR SQUARE: Take measurements from bottom left corner to top right corner and bottom right corner to top left corner and compare. If measurements are equal the R.O. is square. If measurements are not equal, R.O. is out of square and it is then the responsibility of the installer to remedy this problem (fig.1).

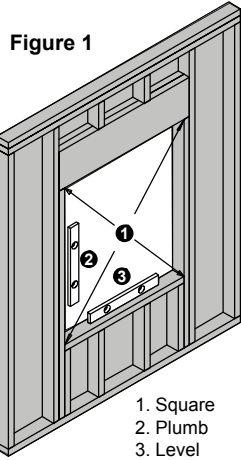
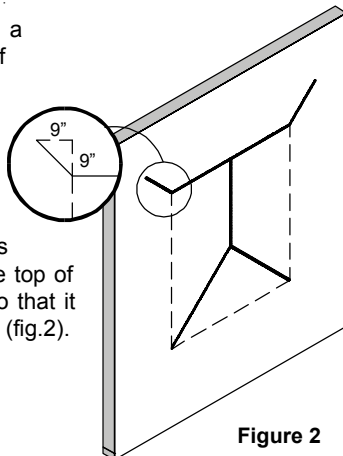
CHECKING FOR PLUMB: Place a level on both sides of the R.O. making sure the vertical measurement of each side is true. If R.O. is not plumb, it is then the responsibility of the installer to remedy this problem (fig.1).

CHECKING LEVEL: Place a level on the sill of the R.O. making sure the horizontal measurement on the sill is level. If opening is not level, the use of shims may be used to level the sill (fig.1).

Note: Unit must be installed square, plumb and level or warranty may be void.

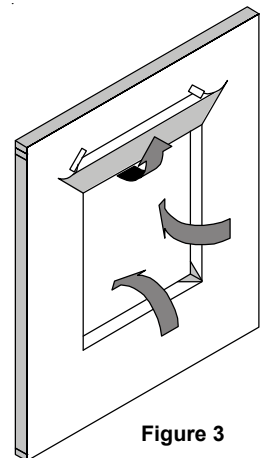
Preparing the Weather Resistant Barrier

Draw a modified "I-Cut" with a marker. Start from the top left of the R.O. and continue to the top right of the R.O. making sure mark is flush with rough opening. From the bottom left corner of the R.O. draw a line up approximately 45°. Repeat for opposite side so the two lines intersect. From the middle of the top of the R.O. drop a line vertically so that it intersects with the diagonal lines (fig.2).



Using a utility knife, cut the lines in the barrier starting with the head and working your way down to create the modified "I-Cut. Fold the bottom and side flaps over and into the interior side of the rough opening. Using staples every 12" to 16" fasten the flaps to the interior and trim excess (fig.3).

Per ASTM standards Lincoln Wood Products Inc. recommends a minimum of 9" wide flexible flashing. For that reason measure 9" up and 9" over from the top left corner of your rough opening and mark. Repeat on top right corner. A scrap piece of flashing 9" x 9" may be used to simplify this step. Once marked cut the weather barrier diagonally from the top corners of the rough opening to the mark made previously (fig.2). Fold weather barrier up and tape or tack temporarily out of way (fig.3).

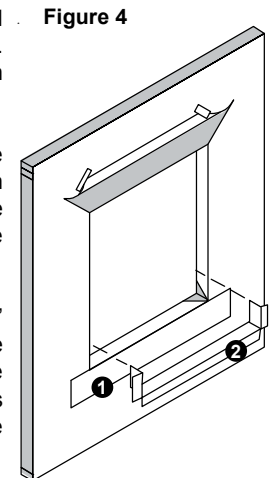


SILL FLASHING: Flashing can be flexible or adhesive back flexible. All flashing must be at least 9" wide & meet (ASTM D-779; water resistance of at least 24+ hours).

Apply a piece of flashing ① that is 18" longer than the rough opening. Apply sill flashing level with top edge of R.O. allowing 9" of flashing to extend to each side of R.O. (fig. 4).

If using non adhesive flashing fasten the top and sides of the sill flashing with staples located 12" to 16" apart, locate them where they will be covered by the nail flange of the window.

Apply a piece of flashing ② that is cut 12" longer than the rough opening. Apply the flashing so it is flush with the interior edge of the rough sill and notched at the corners to allow the flashing to extend 6" up the jambs (fig. 4).



Window Installation

Before installation check window to make sure unit is complete and without defects.

SHIMMING: Sill shims are to be applied at each jamb and any mulls on multiple wide units. Units wider than 24" must also be shimmed at the center of the sill (fig. 5)

Double Hung and Glider units wider than 24" must be shimmed under the sill blocks that are attached to the bottom of the sill. Sill blocks **MUST NOT BE REMOVED** from these units.

Corner gussets are supplied for use with all aluminum clad windows and for the sill/jamb of the WV double hung. **Note:** The rest of the WV line has an integral continuous nail fin, which eliminates the need for corner gussets.

Place the corner gussets at the nailing fin corners. After corner gussets are in place, use sealant on any gap that may exist between the gusset and unit to make a weather tight seal. Do not install unit if corner gussets are missing. Contact your Lincoln dealer for replacements.

Apply a continuous bead of sealant, approximately 3/8" in diameter, to the back of the mounting flange and in line with the mounting holes. Alternatively, sealant can also be applied to the R.O. to line up with the holes on the mounting flange.

Place window into opening on top of shims, press tight to building and check for square, level, and plumb (fig. 6).

At left or right side corner, tack window through one mounting hole. This will provide you with the ability to adjust the unit while keeping the window in place (fig. 7).

Lincoln Wood Products Inc. recommends the use of fasteners that penetrate window framing a minimum of 1". Stainless or galvanized nails or screws may be used.

However, Lincoln Wood Products Inc. does not recommend the use of pneumatic nail guns and will not be responsible for any damaged caused by the use of these nail guns.

Check unit for square and plumb, making adjustments using shims until window is square and plumb in the opening. Shims are to be applied at the center point of jambs to prevent bowing. Taller units may require additional shims along jamb.

Figure 5

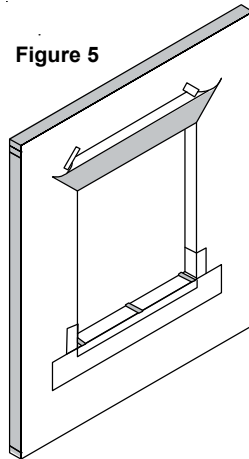


Figure 6

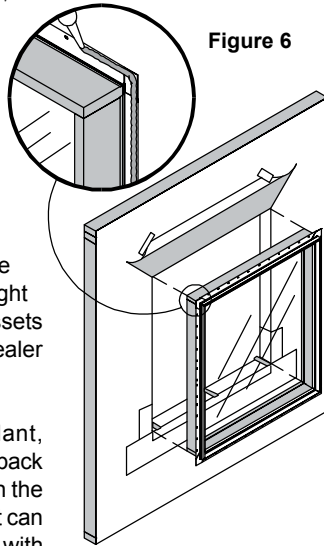
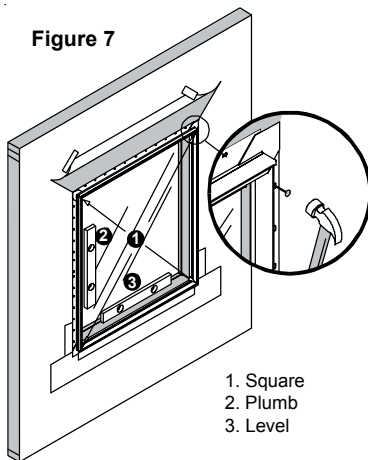


Figure 7



1. Square
2. Plumb
3. Level

Note: Unit must be installed square, plumb and level or warranty may be void.

Tack opposite diagonal corner from first tack and check for level, plumb, and square. Fasten sides, top, and bottom, using every other mounting hole and continually checking unit for square, plumb, and level.

JAMB FLASHING: Flashing can be flexible or adhesive back flexible. All flashing must be at least 9" wide and cut so length will extend 8-1/2" beyond the head and sill on both sides of R.O. (R.O. + 17"). If stapling flashing do not penetrate through window mounting flange.

Apply a continuous vertical bead of sealant to the exterior portion of the vertical mounting flange, covering the mounting holes as you go. Continue bead 8-1/2" above the R.O. (fig. 8).

Install jamb flashing over side mounting flange and sealant bead, tight against window unit. If using a nonadhesive flashing staple, being sure not to staple through window mounting flange. Top edge of jamb flashing should extend a maximum of 8-1/2" above the R.O. The bottom of the jamb flashing extends 8-1/2" past the bottom of the R.O. overlapping the sill flashing applied earlier (fig. 8).

HEAD FLASHING: Flashing can be flexible or adhesive back flexible. All flashing must be a minimum of 9" wide and cut so length is approximately 10" beyond the sides of the R.O. (R.O. + 20"). This will allow the head flashing to overlap the jamb flashing applied earlier.

Apply a continuous horizontal bead of sealant to the exterior portion of the horizontal mounting flange at the head, covering the mounting holes as you go, but not extending past the vertical mounting flange (fig. 9).

Install head flashing over the horizontal mounting flange and fasten. If using a nonadhesive flashing staple, be sure not to penetrate through window mounting flange (fig. 9).

Lower the head weather barrier flap previously taped out of way (fig. 10). Place over head flashing. Apply sheathing tape to seal diagonal cut made in weather barrier.

Figure 8

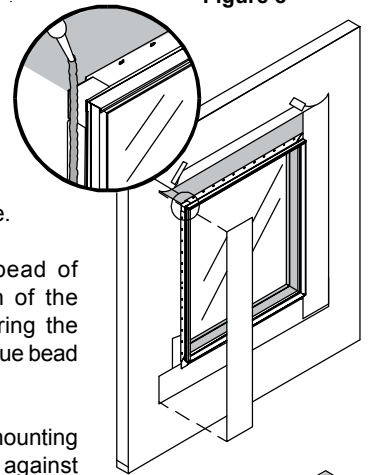


Figure 9

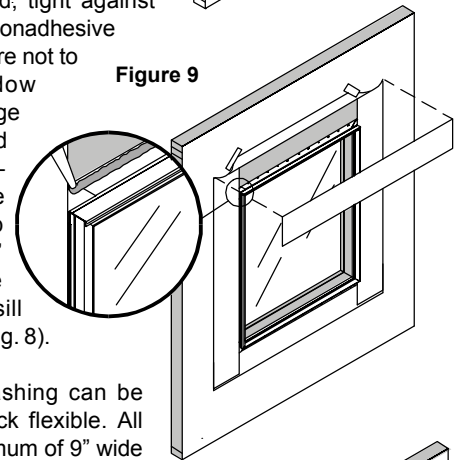
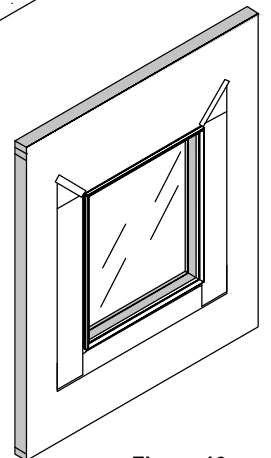


Figure 10



This completes your window installation.

Failure to follow these recommended instructions may void Lincoln's Limited Warranty.