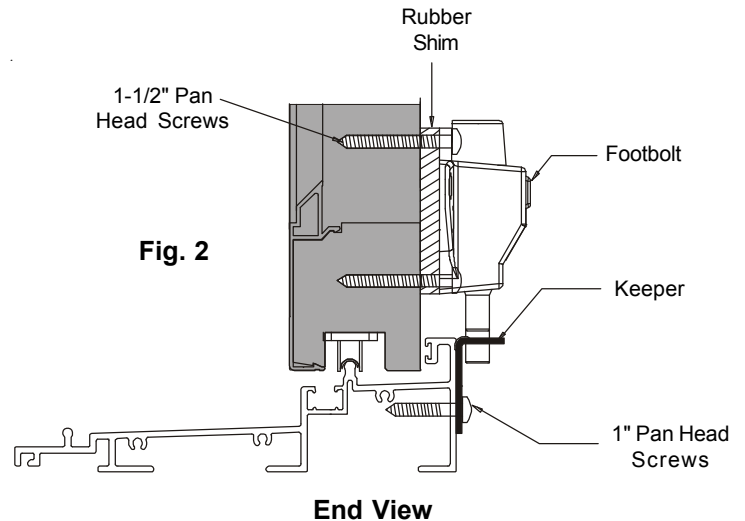
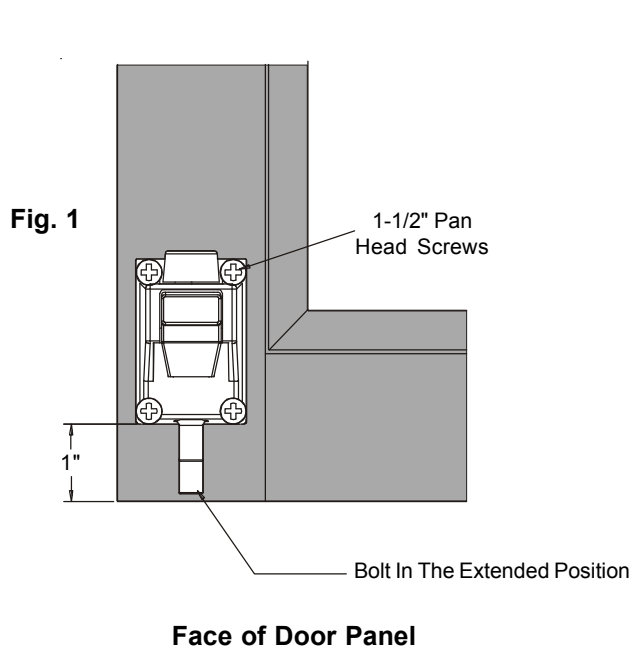




Footbolt Security Lock Installation

LINCOLNWOOD PRODUCTS, INC.

Tools Required: Drill w/ 3/32" Bit, Screwdriver and Tape Measure



Top View of Keeper

Fig. 3

- 1) Before installing the footbolt, be sure that the door panel is adjusted properly for operation.
- 2) Center the footbolt assembly and shim on the face of the door stile as shown (Figure 1). The bottom of the footbolt should be 1" above the base of the panel.

Pre-drill the holes for the screws using a 3/32" drill bit. Attach the bolt assembly and shim to the face of the panel using four (4) 1-1/2" screws.

- 4) The keeper needs to be attached to the aluminum sill using the two (2) 1" pan head screws.

To position the keeper, close the operating panel and extend the lock bolt. The top of the keeper should be even with the top of the aluminum sill (Fig. 2). The keeper needs to be slightly lower than the bolt when retracted to allow the panel to operate.

Note: The keeper has two locations that will receive the bolt. The first position will be used when the door is fully closed and the other will leave the panel partially open for ventilation.