



Lincoln Fit Field Mull Instructions

POCKET INSERT DOUBLE HUNG REPLACEMENT

Tools Required: Safety Glasses, Hammer, Wood Block, Sealant/Caulk & Stapler with 1/2 x 5/8" crown staples.
Note: If available, 1" x 3/8" corrugated staples may be substituted for 1/2" x 5/8" crown staples.

The following instructions detail the assembly of a vertical tight mull for Lincoln Fit Double Hung Windows. Operating units are shown. Mulling a fixed studio unit to an operator requires similar procedures.

1. Remove the sash, screen, banding and any other shipping material from the unit. Remove any other fasteners that will interfere with the mulling of the unit.
2. Place units on a flat steady surface, in the desired mulling configuration with the exterior side facing up.
3. Apply a 3/8" bead of sealant to one of the jambs where the unit will be mulled. The bead must run the width and full length of the unit and be a maximum of only 1/4" away from the face of the unit. See Fig. 1.
5. Make sure the units are flush and tight together at the mull and then fasten the units together at the head and sill with 1/2" x 5/8" crown staples. Use 6 staples at each location. See Fig. 3

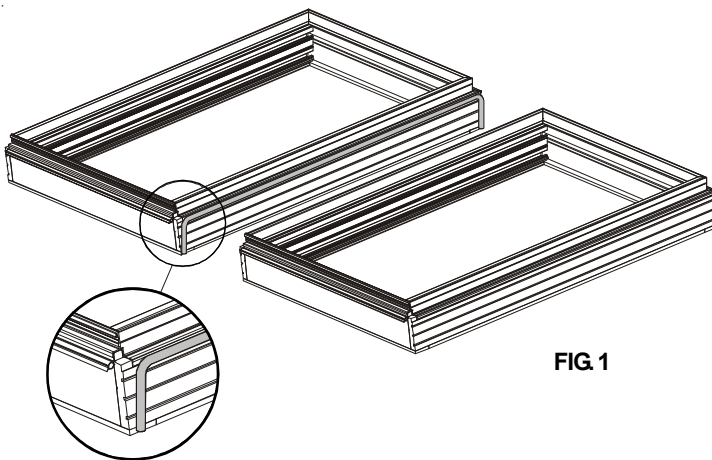


FIG 1

4. Push units together ensuring that the head and sill are aligned and that the jambs are tight together at the mull joint. If there is a gap at the mull joint, it may be necessary to clamp the units together. Apply the mull cap starting at one end of the unit. Using a wood block and a hammer, carefully pound the mull cap into the accessory grooves on the face of the unit until it is seated firmly against the cladding. See Fig. 2

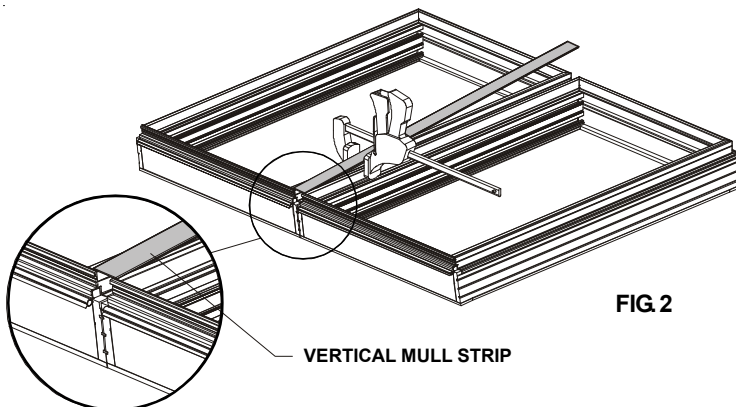


FIG 2

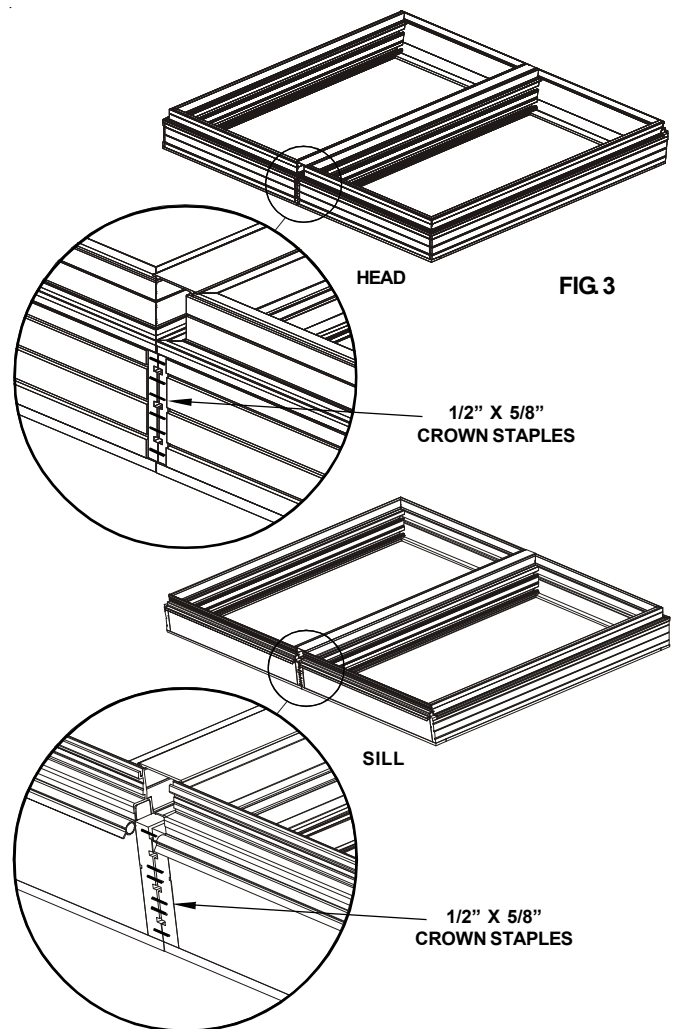
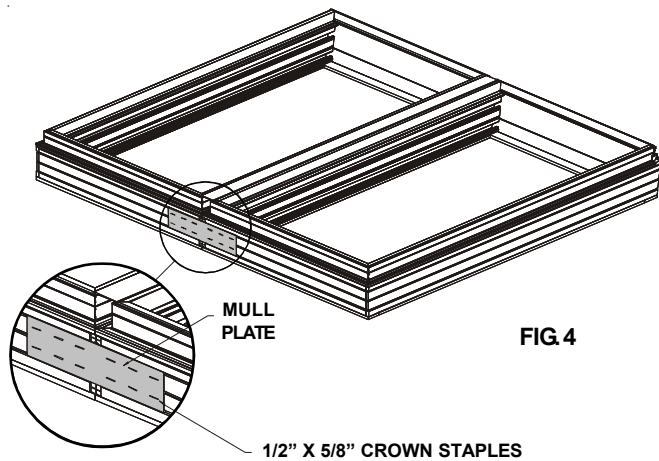


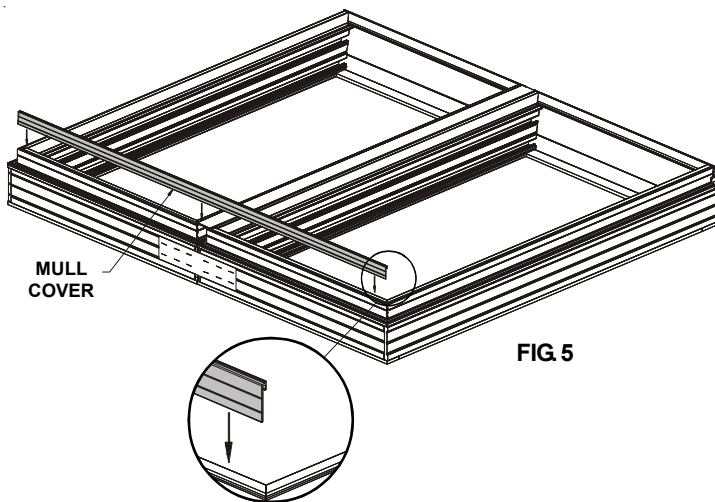
FIG 3

- Attach the mullion reinforcement plate across the mull at the head jamb and fasten with 1/2" x 5/8" crown staples. Use six staples on each side of the mull joint. See Fig. 4

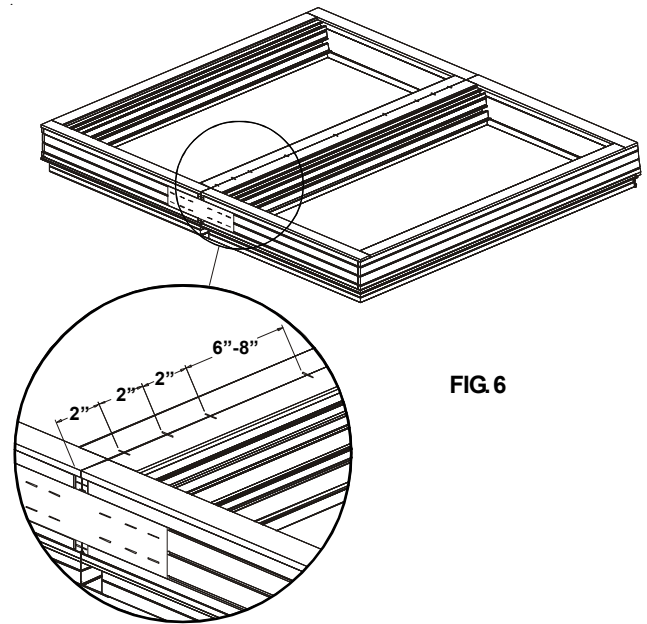


SKIP TO STEP 8 IF FRAME EXPANDER PANNING WILL BE USED.

- Attach mull cover to head of unit. Using a wood block and a hammer, carefully pound the mull cover into the accessory groove on the face of the unit until it is seated firmly against the cladding. See Fig. 5



- Carefully turn the assembly over so that the interior side is facing up. NOTE: Larger assemblies may require additional bracing at the mulls before turning assembly over. Fasten units together at the mull using the 1/2" x 5/8" crown staples. Place 3 staples on both ends approximately 2" from the edge of the frame and spaced 2" apart. Space the remaining staples 6-8" apart along the length of the mull. See Fig. 6.



Optional Fastening: If mulling a fixed studio unit to an operator, the jambs of the units can be fastened together through the studio jambs using #6 x 1-1/4" flat head screws (not provided) before permanently attaching the side stops on the studio unit. If two operating units are being mulled together, the jambs can be fastened together at the top and bottom pilot holes in the jambliner using #6 x 1-1/4" flat head screws (not provided). Refer to installation instructions for pilot hole locations.

- Remove any bracing and re-install sash into unit. Install the mulled unit into the sash opening as outlined in the supplied installation instructions.
- After unit is installed, interior mull trim should be applied.