



Stationary Sash Replacement Kit

CASEMENT AND AWNING

Tools and materials required to complete entire procedure:

- Clip package with instructions
- Stiff putty knife (with edge)
- Wire side cutters
- Hammer
- Phillips screw driver
- Clear or Color Matched Caulk
- Small Nails
- Nail Set

STEP 1 - OLD SASH REMOVAL

First locate the nails with the putty knife. Use the edge of the putty knife and hammer to cut all the nails (Figure 1).

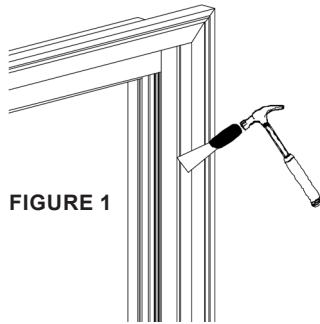


FIGURE 1

CAUTION: DO NOT DAMAGE THE WEATHERSTRIP.

WARNING: BE EXTREMELY CAREFUL AFTER NAILS ARE CUT, THE SASH WILL BE LOOSE IN THE FRAME AND MAY FALL OUT.

STEP 2 - FRAME PREPARATIONS

1. Cut any protruding nail with the wire side cutters. Make sure the nails are then pushed back into the side jambs with the nail set and hammer. Any holes through sill should be sealed with caulk.
2. Before beginning replacement, run a smooth bead of clear or color matched caulk along frame corner from interior weatherstrip to outer edge of frame.

This is a preventative measure to ensure that the frame corner is sealed properly.

3. Clip Placement: The size of the unit determines the number of clips to be used. Units with glass size of 28"-32" high use two clips on each side, 36"-54" use three clips on each side and 60" and over requires four clips on each side.

End clips should be three to five inches from the head and sill (Figure 2). The diagram to the right shows how the clip should fit in the side jamb. Avoid the weatherstrip when tightening screws.

Note: Head clips should be applied with the same spacing as the side clips.

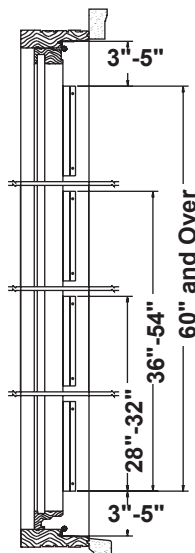
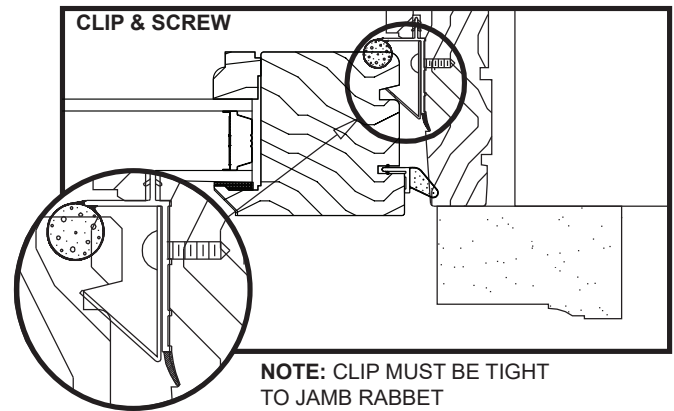


FIGURE 2

STEP 2 - FRAME PREPARATIONS



Section View of the Side Jamb showing Clip placement.

Snubber Application: Remove tape backing and apply snubber to sill. (Fig. 3) Predrill sill for snubber screws. Fasten with screws. Single snubber should be placed at the center of the sill. Multiple snubbers should be equally spaced on the sill.

Apply Snubber to Sill

<28" = 1
>28" - 36" = 2
>36" - 60" = 3
>60" - 84" = 4
>84" - 108" = 5
>108" - 120" = 6

STEP 3 - NEW SASH PLACEMENT

1. Attach setting blocks to the top and sides of sash with nails. Make sure the setting blocks do not interfere with the clips.
2. Set the bottom of the sash in frame centered between the side jambs and push firmly into place. **Note:** Do not push on glass during the sash placement.

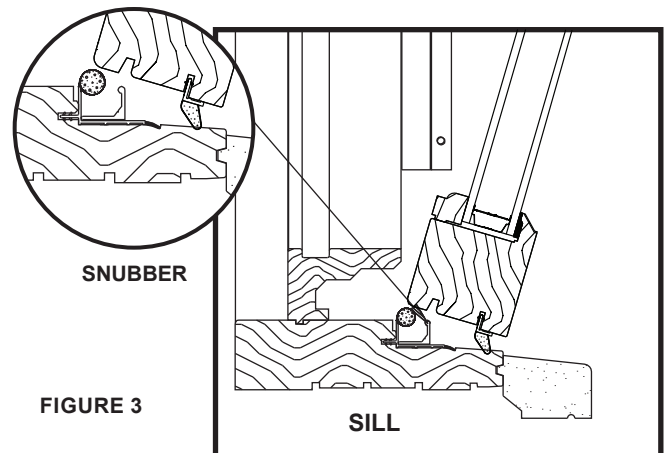


FIGURE 3

SILL