

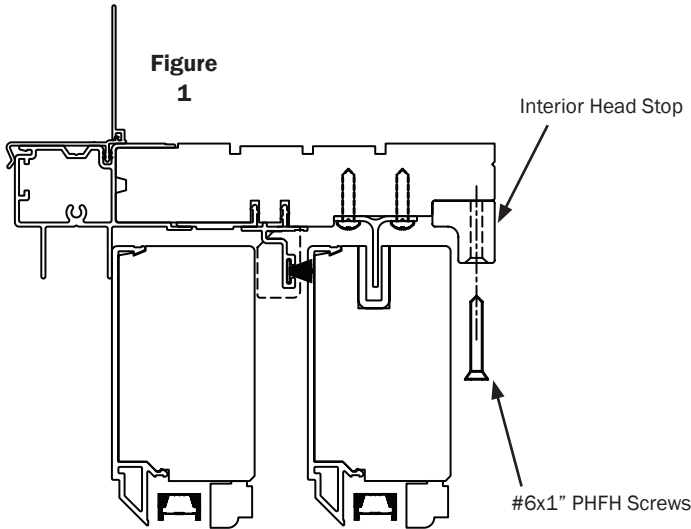


# Operable Slide Panel Removal - 2 & 4 Panel

## SLIDING PATIO DOOR

**TOOLS REQUIRED:** Phillips head drill bit or Phillips head screwdriver.

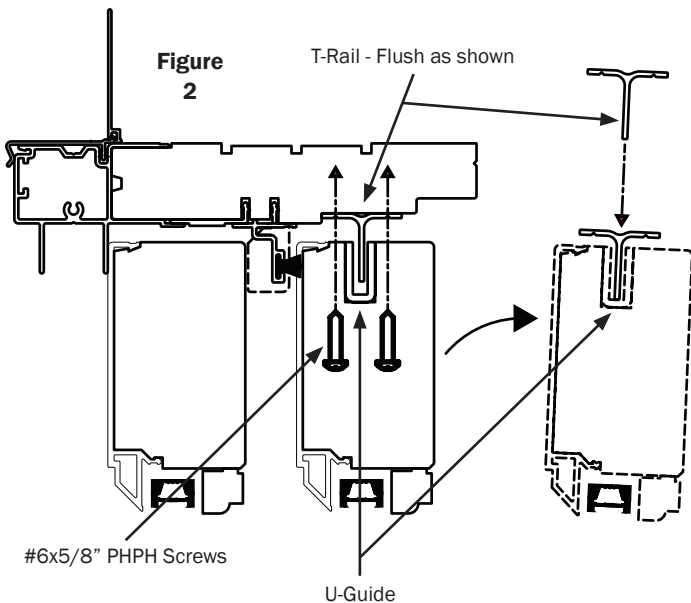
1. Remove screws securing the head stop to the head jamb (Fig. 1). Set screws and head stop to the side - these will be re-installed later.



2. Remove screws securing the T-Rail to the head jamb, followed by removing the T-Rail from the panels U-Guide (Fig. 2). Set all screws and the T-Rail aside - these will be re-installed later.

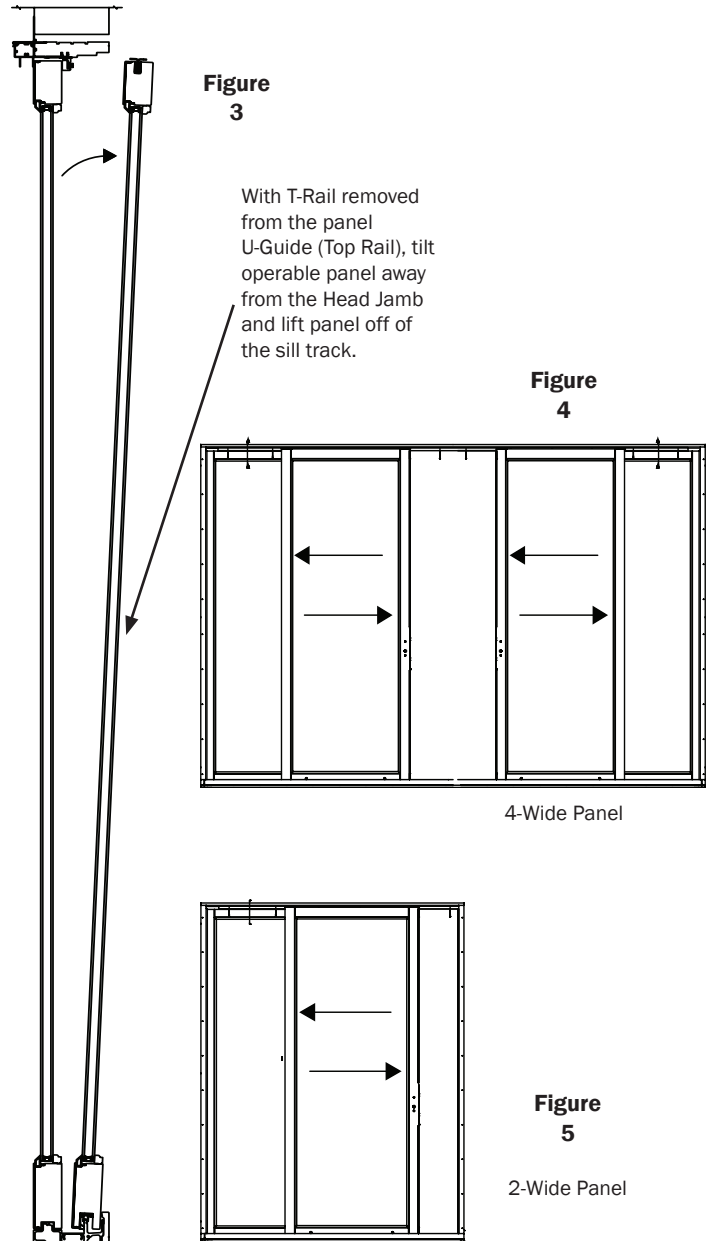
**NOTE:** You will have to slide the panel both ways, in order to gain access to these screws.

**WARNING:** Once all screws are removed from the T-Rail, there is nothing holding the panel from tipping inward. It is best practice to have someone else hold the panel in place - while another person removes the screws and T-Rail.



3. Once the T-rail has been fully unscrewed and removed from the U-Guide; fully tip the panel inward until the top of the panel is clear of the entire opening. Next, lift the panel up and off of the sill track (Fig 3-5).

This concludes the operable panel removal process.



**Note:** To Install, do these procedures in reverse order.